

Switchgear type RKS5-5/2 for rated voltage 500V



Switchgear type RKS5-5/2 is an electrical device designed for use in the underground mining pits in non-explosive conditions and on the ground.

Switchgear type RKS5-5/2 is designed for switching on receivers in the 3-phase mine grid with insulated star point on the transformer (system IT) of rated grid voltage of 500V.

Switchgear is used for supplying welding machines, fans and 500V grid division.

TECHNICAL DATA:

ingress protection	IP54
supply rated voltage	500VAC, 50Hz
number of 500V outlets	5
outlet rated current	acc. to Table 1
weight	70 kg
dimensions	1500 x 900 x 340mm (H x W x D)

Table 1

Switchgear type	Maximum outlet rated current [A]					Rated current of clamps from the supply side (Inz) [A]
	Outlets					
	I	II	III	IV	V	
RKS5-5/2	115	115	125	125	50	400

CONSTRUCTION

The switchgear housing is made of steel sheets. The whole unit is based by a common support frame. The housing is equipped with brackets that allow for the switchgear to be hung on a chain or to be placed directly on the ground.

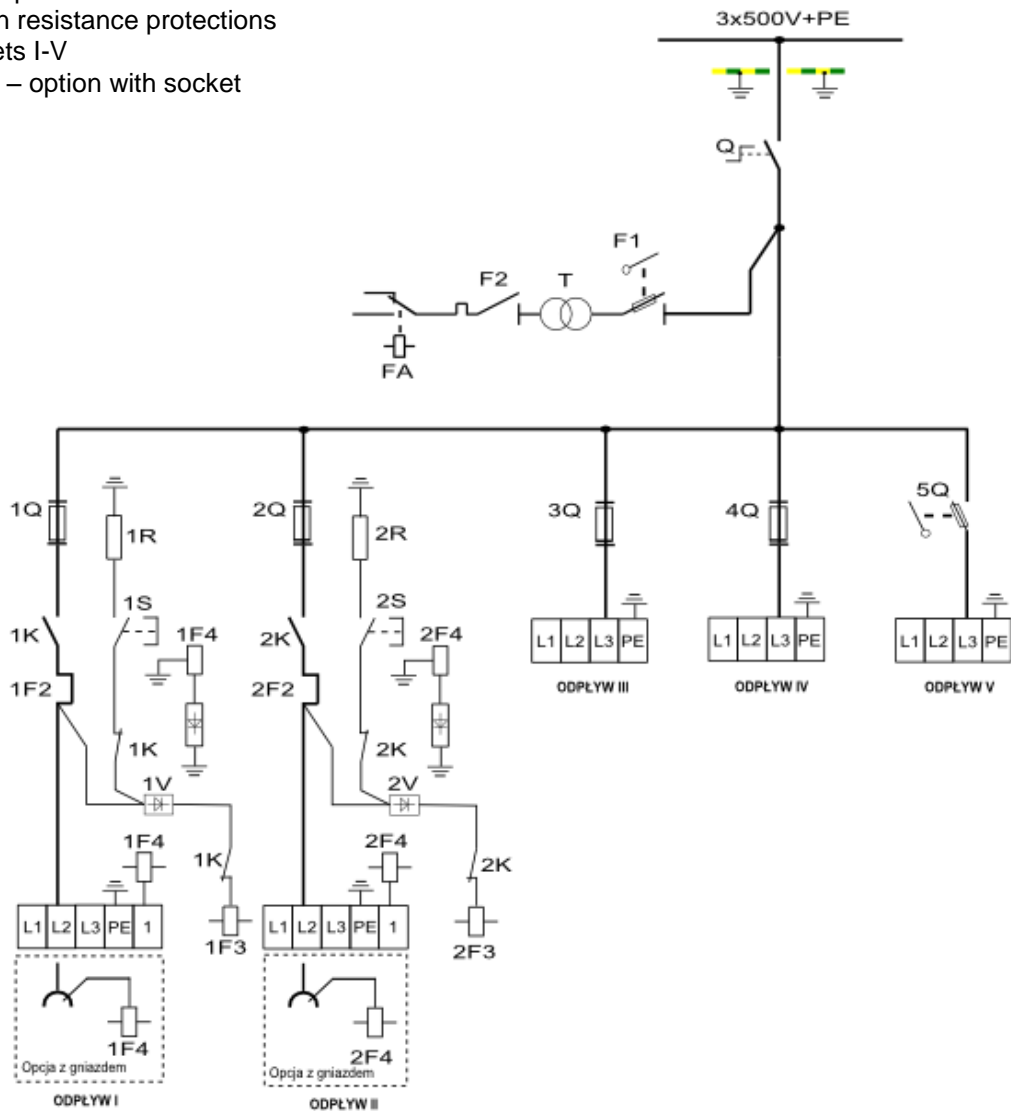
MODE OF OPERATION

The control of 500 V outlets are carried out with the buttons situated on the face of the switchgear. The switchgear is equipped with power protections against short-circuiting, overloading, low insulation resistance and an increase in earth resistance. Turning off the outlets is carried out with control buttons situated on the face of the switchgear or with the emergency off-button.

SCHEMATIC DIAGRAM

Legend:

- Q** – disconnector
- 1Q-5Q** – fuses
- 1K-2K** – contactors
- 1F2-2F2** – overload protections
- 1F3,2F3** - insulation resistance protections
- Odplyw I-V** – Outlets I-V
- Opcja z gniazdem** – option with socket



Orders should be submitted in writing or by fax to the address: